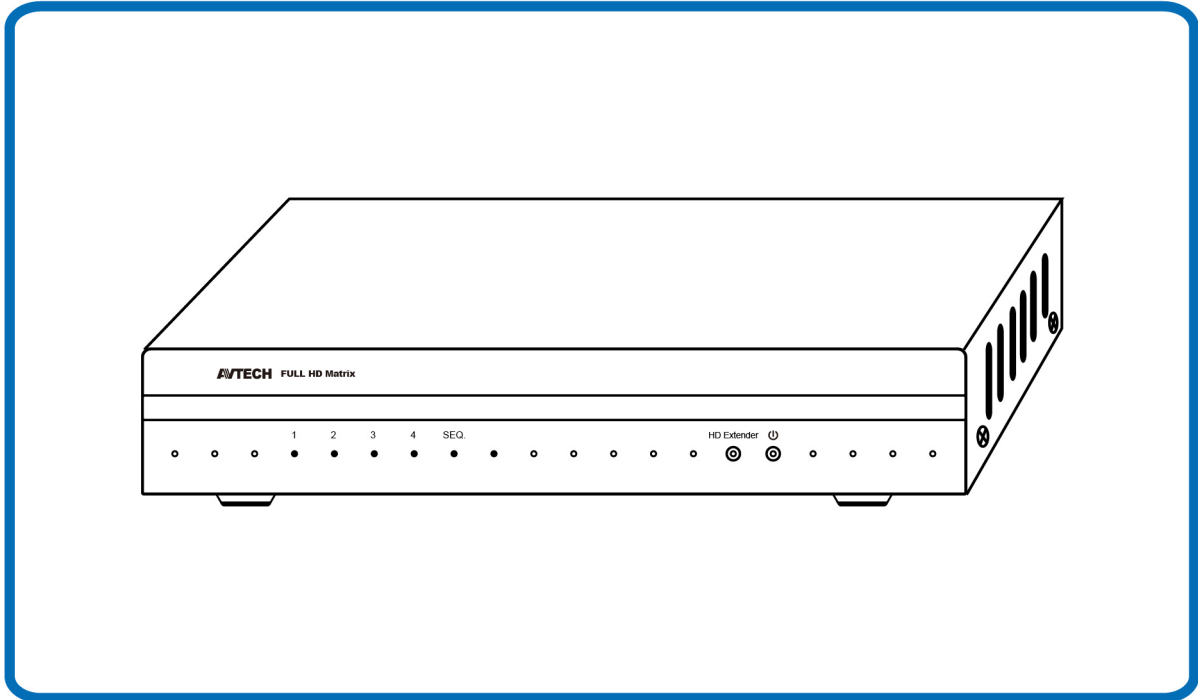


HDM02 User Manual

HDMI Matrix



All lead-free products offered by the company comply with requirements of the European law on the Restriction of Hazardous Substances (RoHS) directive, which means our manufacture processes and products are strictly “lead-free” and without the hazardous substances cited on the directives.



The crossed-out wheeled bin mark symbolizes that within the European Union the product must be collected separately at the product end-of-life. This applies to your product and any peripherals marked with this symbol. Do not dispose of these products as unsorted municipal waste. Contact your local dealer for procedures for recycling this equipment.

CE Mark



This apparatus is manufactured to comply with the radio interference.

The company does not warrant that this manual will be uninterrupted or error right to revise or remove any content in this manual at any time.

GENERAL DESCRIPTION

This HDM02 is the perfect way to get ultimate flexibility and integration out of your surveillance system. You can plug up to four HDMI sources (e.g., NVR or DVR) and USB controls into the Matrix for single output display and control. Also, HDM02 enables you to combine AVX916R with the BNC port, which transfers coaxial signals (up to 70m) to HDMI signals, to duplicate local display to remote site for independently controlling each source device. The features of HDM02 are summarized as below:

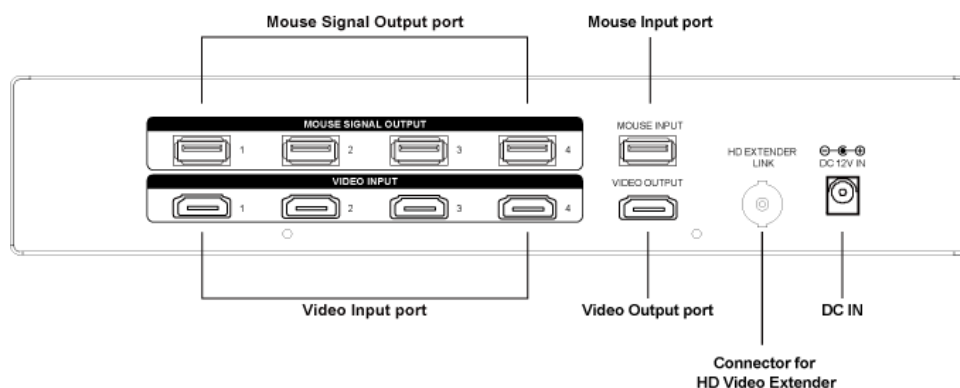
- **Combined display of HDMI sources**

HDMI Matrix is able to combine HDMI sources to single HDMI display with control. To have one more display with control, an optional HD video extender, AVX916R, could be used.

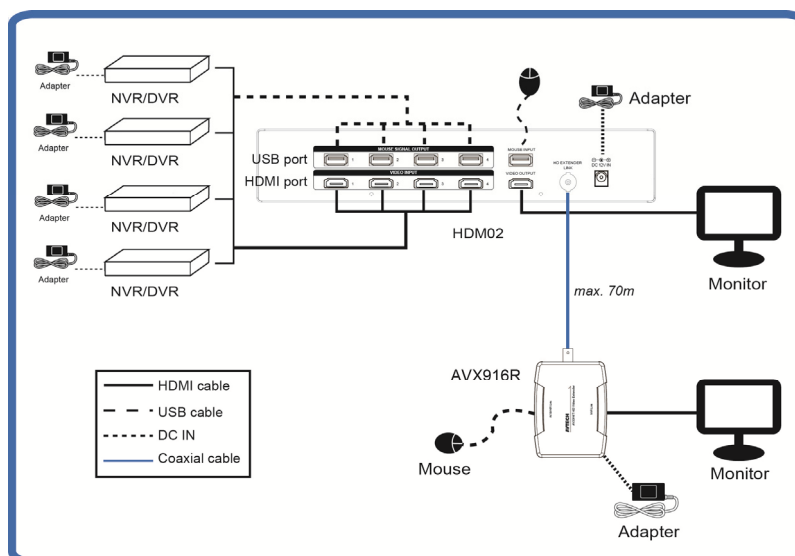
- **Variable Monitor Display**

Quad / full / sequence mode can be switched by mouse to display.

PRODUCT REVIEW



CONNECTION



Note: HDM02 is only compatible with AVTECH NVRs and selected DVRs. Please contact your distributor with any questions or comments you may have.

For local site:

Step 1: Plug four HDMI cables into each video output port of NVR / DVR and the four video input ports of HDM02.

Step 2: Plug four USB cables into each USB port of NVR / DVR and the four mouse signal output ports of HDM02.

Step 3: Connect the monitor with an HDMI cable to the video output port of HDM02.

Note: The monitor has to be a HDMI monitor with 1080p 60fps format to display correctly.

Step 4: Connect a mouse to the mouse input port of HDM02.

Note: HDM02 is not allowed to connect with a wireless mouse and only compatible with AVTECH mice.

Note: HDM02 supports hot swapping.

Step 5: Connect cameras and power adapters to NVR, and also connect a power adapter to HDM02.

Step 6: Turn on the NVR.

For remote site with AVX916R:

Step 1: Repeat the step1 and 2 above. Plug a coaxial cable into the HD extender link of HDM02 and the BNC port of AVX916R.

Step 2: Connect the monitor with an HDMI cable to the HDMI output port of AVX916R.

Step 3: Plug a mouse into the mouse input port of AVX916R.

Step 4: Connect cameras and power adapters to NVR, and also connect a power adapter to AVX916R.

Step 5: Turn on the NVRs.

Note: For the best display and stable control, it's not suggested to use the two units of AVX916R and AVX916T together, which are HD Video extender, to transmit HD signals through a single coaxial cable.

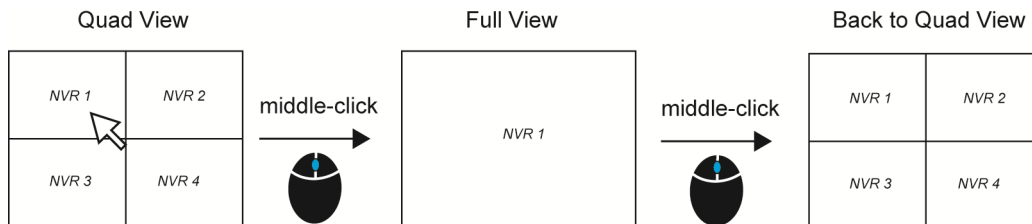
Note: For connecting a monitor to the HD extender link to display, the monitor must support SDI to work normally. If doesn't, you can follow the steps above to connect to AVX916R instead.

Note: AVX916R is only compatible with AVTECH mice.

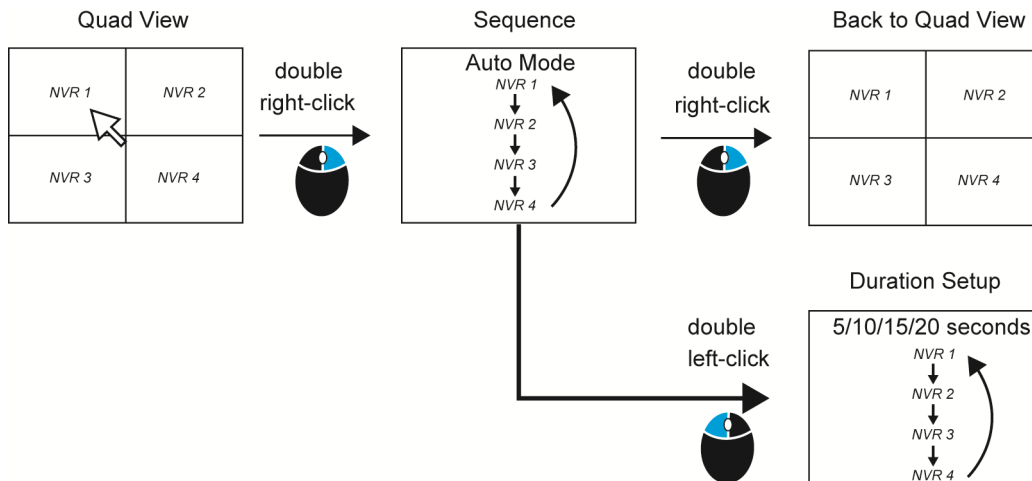
OPERATION

You can control the monitor display with your mouse as below:

■ Single channel switch



■ Sequence mode switch and duration setup



Note: You need to enter the sequence mode and double left-click to switch duration time of 5, 10, 15 and 20 seconds. The default duration time is 5 seconds.

SPECIFICATIONS*

Hardware			
Input	HDMI port	4	
	USB port	1 (Mouse in)	
Output	HDMI port	1	
	USB port	4 (Mouse signal out)	
HDMI YUV	Input	4:2:2 16bit	
	Output	4:2:2 16bit	
BNC	SDI (With Mouse Control)		
Resolution	HDMI	Video	1080P/60fps (only)
		Audio	48Khz
	SDI	1080P/60fps	
Maximum length	HDMI cable	3M	
	SDI Cable	70M/RG6	
	USB cable	3M	
LED Indications	YES		
Power Supply (±10%)	12V		
Version of HDMI specification	HDMI 1.4		
HDMI Plug-and-play support	YES		
Operating Temperature	0°C ~40°C (50°F~104°F)		
Software			
OSD sequence configuration	YES		
Monitor Display	Quad / Full Screen		
HDMI video output resolution error display	YES		

* The specifications are subject to change without notice.